

垂直平移手动操动机构

Rotating manual operating mechanism with vertical shaft

R77 型

符合 CEI 60694 标准

IEC 60694 standard compliant



应用

- 可以现场操作的手动操作装置 / *Manual operating mechanism with local operation, for outdoor disconnectors with connected or not connected poles .*
- 适用于这几种隔离开关：中断开关、双断开关、接地开关。
For disconnector : Center break, double break, earthing switch.

技术说明 / Technical description

- 底杆和操纵杆都用热浸镀锌钢管制成 / *Based and operating lever made with hot dip galvanized steel*
- 操纵杆 / *Operating lever*
 - 杆长为： 1000 mm / *Lenght of lever 1000 mm*
 - 最大为： 450 N / *Maximum force: 450 N*
- 机械锁的“开”和/或“闭”状态 / *Mechanical locking in "open" and/or "closed" position*
 - 采用挂锁（不提供挂锁） / *With padlock (padlock not supplied)*
- 旋转角度90° / *Rotating angle 90°*

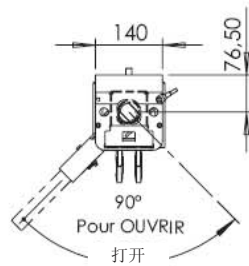
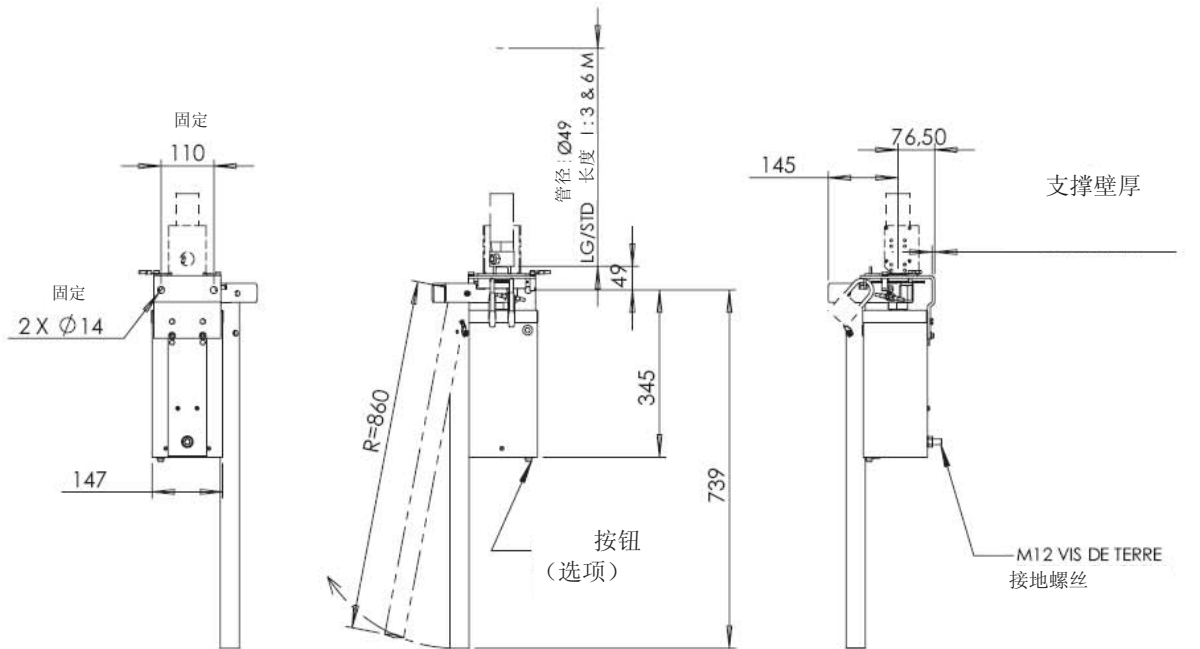
可选件 / Optional

- 辅助接点 / *Auxiliary contacts*
 - 4个常开接点 + 4个常闭接点 / *4NO + 4NC*
 - 6个常开接点+ 6个常闭接点/8个常开接点+ 8个常闭接点/ *6NO + 6NC/8NO + 8NC*
 - 绝缘程度 : 2 kV / *Insulation level: 2 kV*
 - 额定电流 : 10 A / *Rated current: 10 A*
 - 断开容量 : 110 V直流电/1A / *Breaking capacity: 110 Vdc/1A*
 - 断开容量 : 220 V直流电/0,3A / *Breaking capacity: 220 Vdc/0,3A*
 - 断开容量 : 220 V直流电/2A / *Breaking capacity: 220 Vdc/2A*
- 加热电阻(230 Vac- 50/60 Hz) 带或不带温控器 / *Heating resistance (230 Vac - 50/60 Hz) with or without thermostat*
- 接线端子排, 编号标签可订购 / *Terminal block, marking off upon request*
- 电磁锁, 按钮和信号灯皆可选 / *Electro-magnetic lock with or without push-button and with or without signalling lamp*
- 用钥匙锁锁定（不提供钥匙锁） / *Locking with keylocks (keylocks not supplied)*
- 旋转角度 180° / *Rotating angle 180°*
- 选件配有IP54盒和电缆衬垫板 / *Options are with IP54 box, with cable gland plates (to drill on site)*

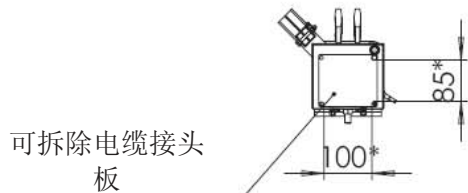
R77 型垂直式旋转手动操作

ROTATING MANUAL OPERATING MECHANISM WITH VERTICAL SHAFT TYPE R77

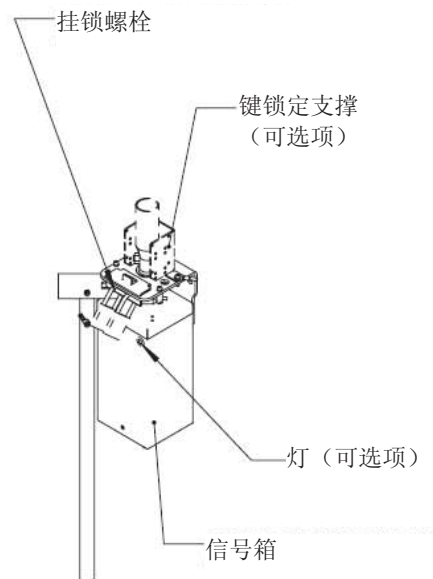
外形尺寸图 / Dimensions drawing



VUE DE DESSOUS
底视图



填料函固定位置



对于输入和输出连接，请参阅布线图。

(1) 按钮：适用于信号灯或电磁锁定。（可选项）